

## *Alisply columns*



ISO 9001

**BUREAU VERITAS**  
Certification

Nº 7002938



### **Encofrados J. Alsina, S.A.**

Pol. Ind. Pla d'en Coll - Camí de la Font Freda, 1  
08110 - Montcada i Reixac (Barcelona - Spain)  
Tel. (+34) 935 753 000 - Fax (+34) 935 647 059  
E-mail: [alsina@alsina.com](mailto:alsina@alsina.com)

**[www.alsina.com](http://www.alsina.com)**

# ALISPLY COLUMNS



## ► Indentation-free finish



The Alisply Column System is the first product on the market that results in concrete columns without marks on the phenolic. This is achieved by assembling a column with external adjustment, because of special brace frames or angles.

The system allows the Alsina Chamfer Strip to be added, which smoothes out the edges of the column, seals the grout of the concrete and the joints between the panels. It is the first system that is secured to the panel with springs without having to be nailed in, extending the life of the phenolic and facilitating the stripping of the column.

## ► Resistant



The Alisply Wall Panels and the accessories of the Alisply wall panel range are compatible with the Alisply Column system, making the on-site equipment much more cost-effective.

In the case of having a wall unit on site, you only need those elements specific for the creating of external adjustment columns (brace frames and anchorages) or columns with angles (outside corners).

## → Column system with external adjustment and smooth finish

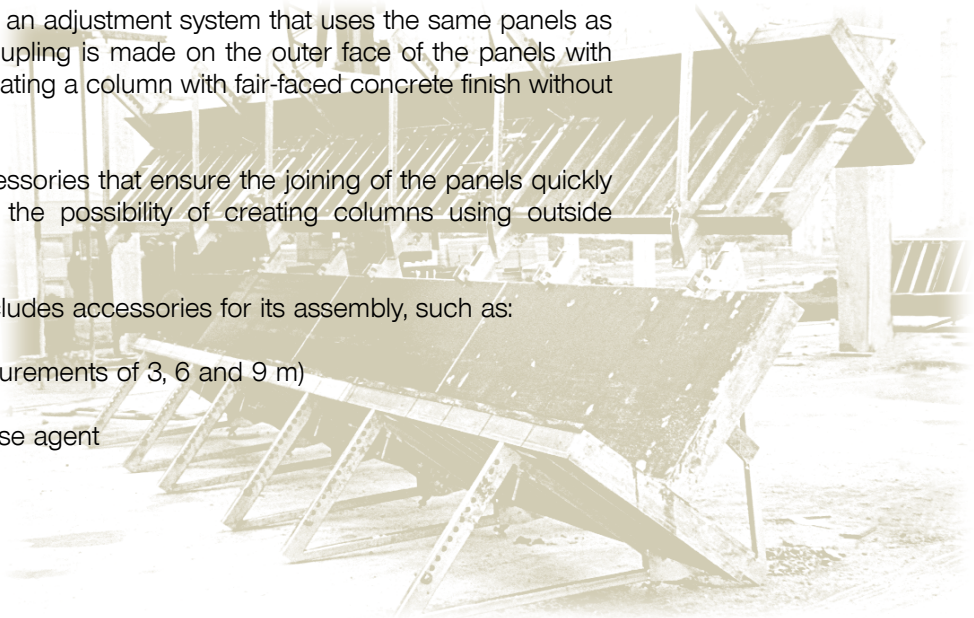
Reusable formwork system for columns, designed to be handled with a crane.

Alispaly Columns are formed by an adjustment system that uses the same panels as the Alispaly wall system. The coupling is made on the outer face of the panels with external brace frames, thus creating a column with fair-faced concrete finish without marks.

The brace frames include accessories that ensure the joining of the panels quickly and effectively. There is also the possibility of creating columns using outside corners.

The Alispaly Column System includes accessories for its assembly, such as:

- Walkway bracket
- Alsina aligners (measurements of 3, 6 and 9 m)
- Alsina chamfer strip
- Alsina concrete release agent



### ► Versatile



The Alispaly Column System allows, with only one panel measurement, columns from 20 cm to 80 cm (with intervals of 5 cm) to be formed without leaving marks in the concrete.

The height modules are obtained with the vertical joining of the panels with the GR-2 Clamp which is quick and handset. We offer several panel measurements in order to reach the column height required.

The system also has an Aligner strut accessory of 3, 6 and 9 m used to the plumb the column.

### ► Compatible



The design of the Alispaly Panel with a steel frame with 15 cm edge, as well as the brace frames and its joining system, allows for the following admissible pressures for the different sections of the columns:

- Columns up to 60 cm: pressure of 80 kN/m<sup>2</sup>

- Columns of 60 cm to 100 cm: pressure of 60 kN/m<sup>2</sup>

# Alisply Columns with brace frames

## alsina chamfer strip

For the finish of the edge of the column, use the Alsina chamfer strip. (See assembly on the following page.)

## alisply GR-2 clamp

For vertical joining of the panels use the GR-2 Alisply Clamp: quick, manual, self aligning and with no need for tools.

## adjustment brace frame

Brace frame that acts as a clamp for the external adjustment of the Alisply Panels.

## lifting bracket

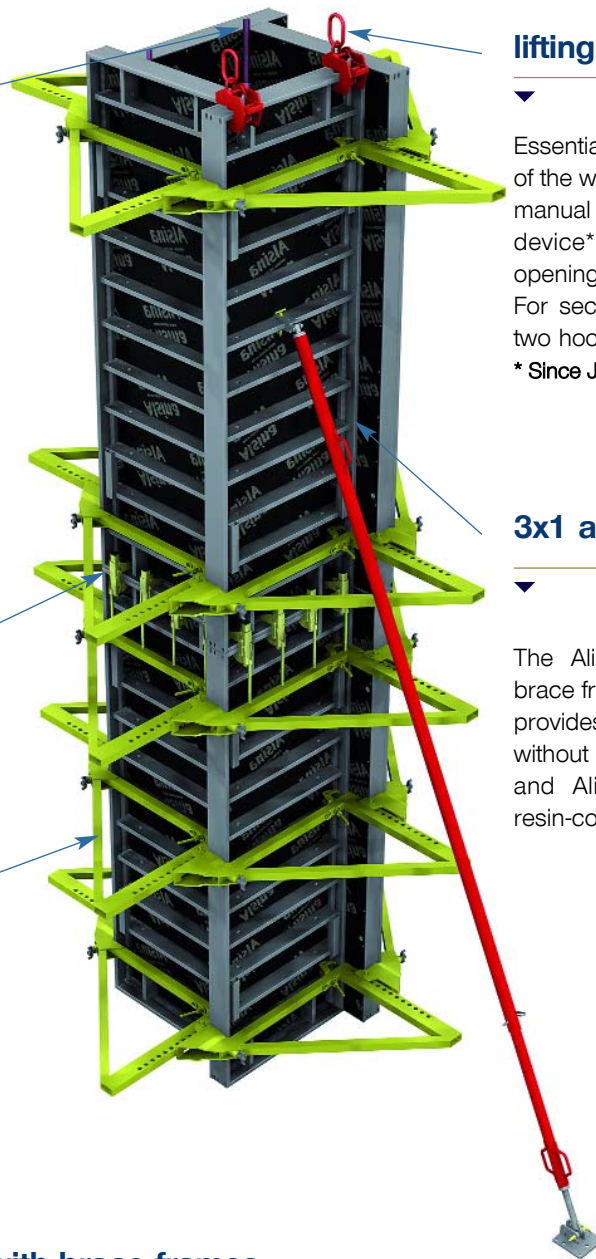
Essential element for the movement of the wall modules. Quick, easy and manual positioning, includes a safety device\* that prevents it from opening.

For security, it is necessary to use two hooks for moving any material.

\* Since July 2003.

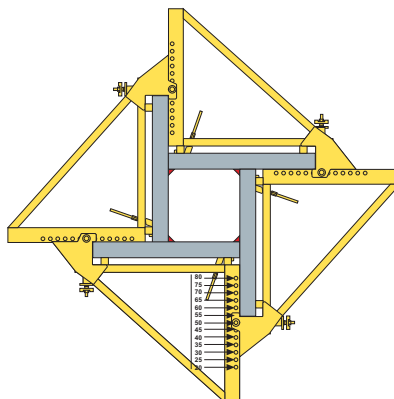
## 3x1 alisply panel

The Alisply Column System with brace frames is the only system that provides a fair-faced concrete finish without marks: external adjustment and Alisply Panel with phenolic resin-coated plywood lining.



## external reduction system with brace frames

The Alisply Column System offers external adjustment in order to create columns of measurements between 20 and 80 cm (with intervals of 5 cm). As an example, we took four Alisply Panels of 3x1 m; once the brace frames are assembled in the panel we will assemble the column, adjusting the measurement of the column to concrete.



# Alisply Columns with angles

## lifting bracket

Essential element for the movement of the wall modules. Quick, easy and manual positioning, includes a safety device\* that prevents it from opening.

For security, it is necessary to use two hooks for moving any material.

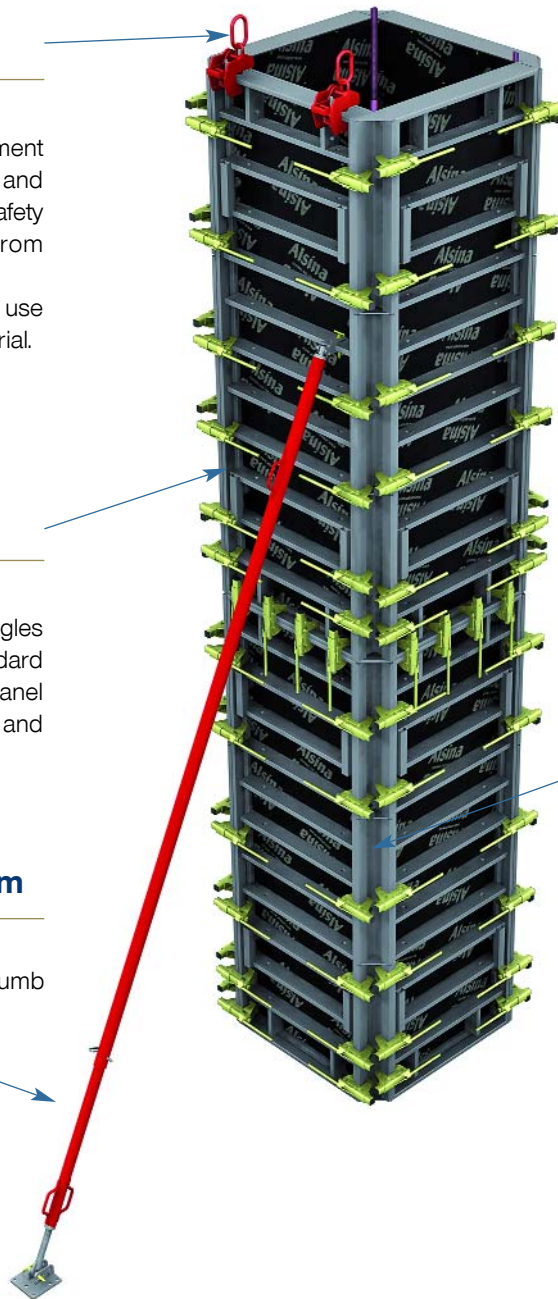
\* Since July 2003.

## alisply panel

The system of columns with angles can use any of the 15 standard measurements of the Alisply Panel with widths from 20 to 100 cm and heights of 1 and 3 m.

## aligners of 3, 6 and 9 m

Accessory to stabilize and to plumb the column.



## alisply GR-2 clamp

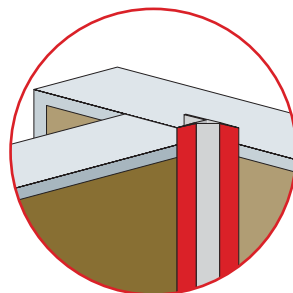
Use the GR-2 Clamp for both the joining of the panels with angles and the joining of the panels at heights: quick, manual, self aligning and with no need for tools.

## outside corner

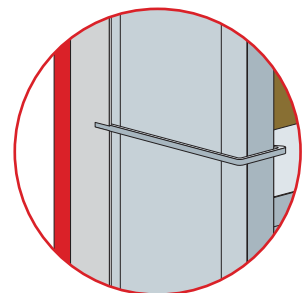
Metal angle used to create columns with angles. Available in measurements of 1 and 3 m high, allowing the quick transition between panels with the GR-2 Clamp.

## ALSINA CHAMFER STRIP

Alisply Columns use the Alsina Chamfer Strip for the finishing of the column edges. This accessory adheres to the panel using a spring especially designed for this purpose. It does not have to be nailed in and therefore avoids damaging the phenolic surface. Also, the use of the Alsina Chamfer Strip greatly improves the form removal of the column.



INTERIOR CLOSE-UP



EXTERIOR CLOSE-UP

## Applications of the Alispaly Column System

---

