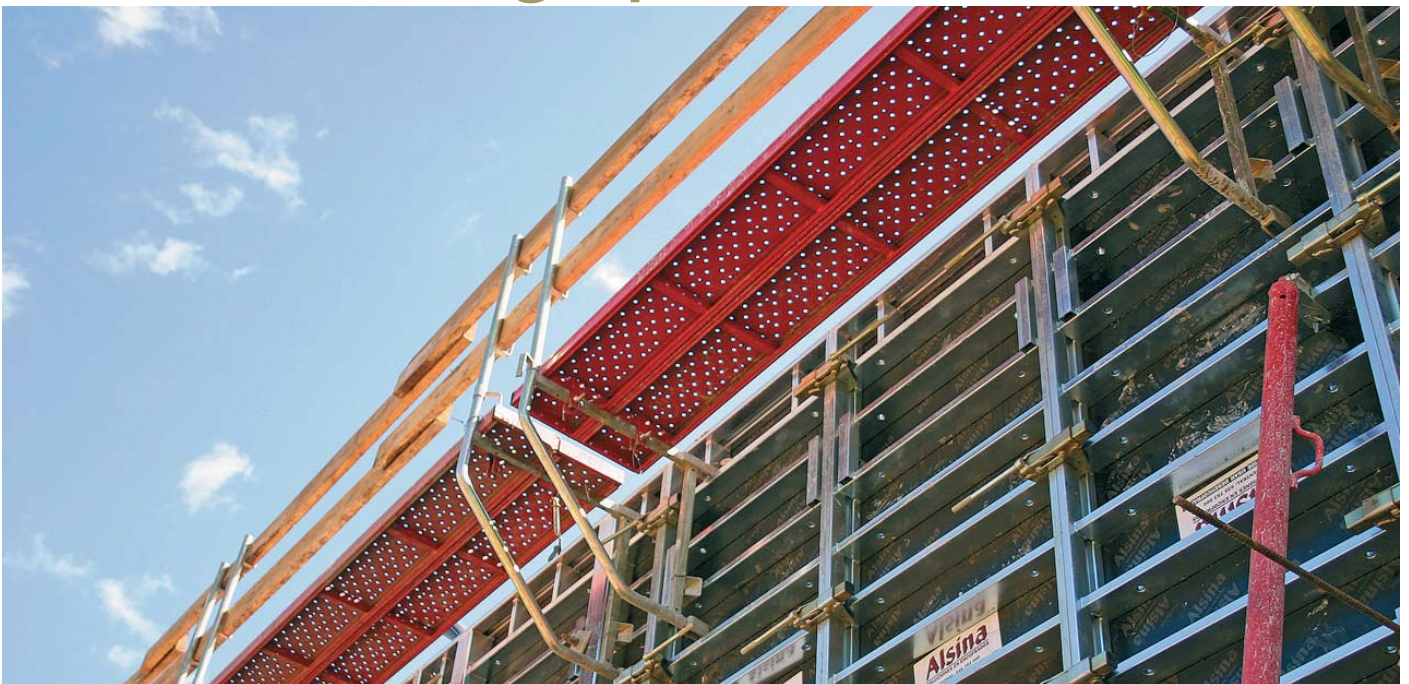


Walkway platform



ISO 9001

BUREAU VERITAS
Certification

Nº 7002938



Encofrados J. Alsina, S.A.

Pol. Ind. Pla d'en Coll - Camí de la Font Freda, 1
08110 - Montcada i Reixac (Barcelona - Spain)
Tel. (+34) 935 753 000 - Fax (+34) 935 647 059
E-mail: alsina@alsina.com

www.alsina.com

WALKWAY PLATFORM

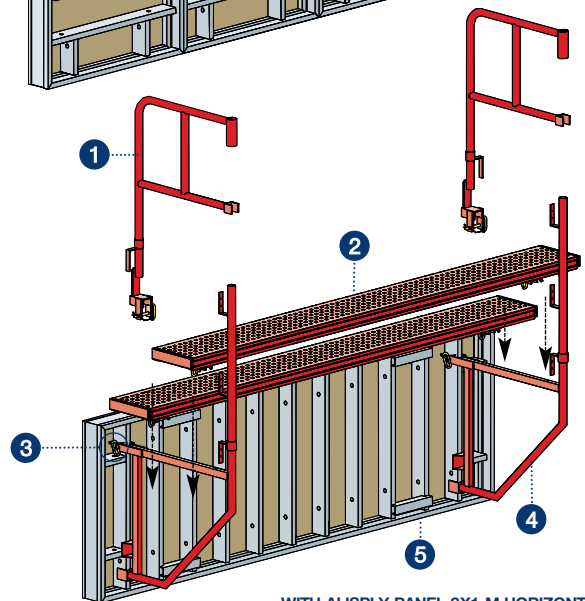
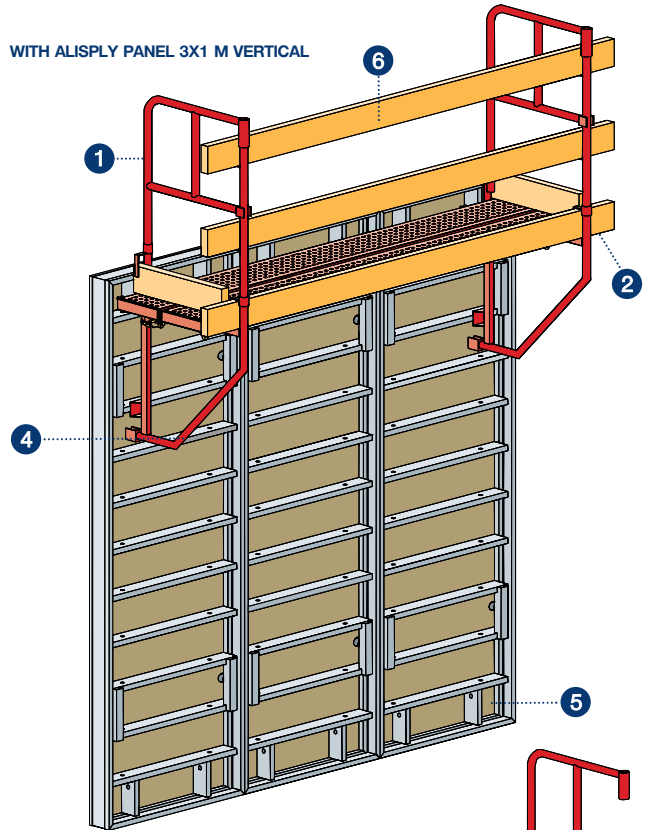
Alisply



The Alisply Walkway Bracket with metal platform allows a maximum separation of 3 meters between platforms.

Essential element for the safety of the operator when pouring the concrete for the wall. Its design allows for its independent positioning from the formwork panel position (vertical or horizontal).

WITH ALISPLY PANEL 3X1 M VERTICAL



WITH ALISPLY PANEL 3X1 M HORIZONTAL

- | | |
|---------------------|------------------------|
| 1- SIDE RAILING | 4- WALKWAY BRACKET |
| 2- WALKWAY PLATFORM | 5- ALISPLY PANEL 3x1 M |
| 3- SHEAR PIN | 6- BOARD 15 X 5 CM |

→ safety and stability in order to work comfortably

Alisply Circular



The Alisply Circular Walkway Bracket uses wood planks that (for greater safety) must be secured with self-tapping screws. Their safety anchorages allow the formwork to be moved with the crane without having to first dismantle it.

The Alisply Circular System has an accessory used to adjust the Walkway bracket. This is placed on the vertical cross beams of the module. It is quick and easy to place using shear pins and bolts instead of threaded components which may deteriorate.



Vistaform straight and multiradius walls



The Vistaform wall systems, consisting of a mixed structure composed of HT-20 wood beams and the phenolic plywood formwork finish, have also been designed for total compatibility with the walkway bracket.